



 **MAGICK
HOME**

INSTALLATION GUIDE



IMPORTANT NOTICE!

FOR YOUR SAFETY AND THE LONGEVITY OF YOUR NEW MAGICKHOME CABINETS, PLEASE FOLLOW THE INSTRUCTIONS BELOW:

CABINETS SHOULD ALWAYS BE MOVED BY TWO PEOPLE.

REMOVE ALL DOORS, DRAWERS AND ADJUSTABLE SHELVES PRIOR TO MOVING ANY CABINET.

CABINETS NEED TO BE COMPLETELY INSTALLED TO THE WOOD STUDS BEFORE PUTTING ANY ITEMS INSIDE THE CABINETS.

TABLE OF CONTENTS

1. SAFETY & LIABILITY	3
2. TOOLS & SUPPLIES	4
3. INSTALLATION PROCESS	4
3.1 Getting Started	4
3.2 Fillers	11
3.3 General Installation Information.....	11
3.4 Appliances.....	11

1. SAFETY & LIABILITY

The decision has been made to install the cabinets and accessories yourself. This installation guide is meant to assist you in the general installation process. The installation of cabinetry can be a challenging task and we do recommend that you use a qualified cabinet installer. However you may have the skill set to complete the installation on your own. MagickHome has no control over the installation, so you are responsible and liable for completing the installation correctly and safely.

SAFETY & LIABILITY DISCLAIMER:

- ✓ Please note that the following instructions are only a guide to cabinet installation. MagickHome will not be liable for any damage to cabinets, cabinet hardware, flooring, walls, etc., due to improper installation or mishandling of cabinets.
- ✓ To reduce the risk of serious or fatal injury, read and understand this installation guide before commencing with the installation.
- ✓ This MagickHome installation guide is not intended to cover every possible contingency that might be encountered during installation or to endorse the use of any particular tool.
- ✓ MagickHome hereby expressly disclaims all warranties and all liability for any claims for injury or death related to or based upon the use of this installation guide.
- ✓ A qualified service professional should be used for any electrical or gas line work.
- ✓ All gas, electrical and water connections must be shut off in any work area.

ITEMS THAT YOU SHOULD CONSIDER:

- ✓ Do you have experience with carpentry and cutting miters?
- ✓ Required tools: for a quality installation you will require several tools. They can be expensive and require experience to operate in a safe and efficient manner.
- ✓ Condition of the site: floors are level, and walls are square and level.
- ✓ Basic plumbing and electrical skills may also be required.
- ✓ It is recommended that there are two people to install the cabinets.

2. TOOLS & SUPPLIES

The following may or may not be required depending on the complexity of your installation:

- UL approved safety goggles, steel-toe shoes and earplugs.
- Table saw, miter saw and jig saw.
- Drill and bits, compressor, pin nailer and nails.
- Clamps, levels, squares, straight edge and line levels.
- Extension cord, lighting and ladders.
- Stud finder, handle jig and circuit tester.
- Tape measure, screwdrivers, hammer pencil and masking tape.
- Installation wood screws (1 1/8" and 2 1/2") and screw caps (for wood stud construction).
- Carpenter glue.

3. INSTALLATION PROCESS

UNDERSTANDING OUR CABINET CODES - EXAMPLES:

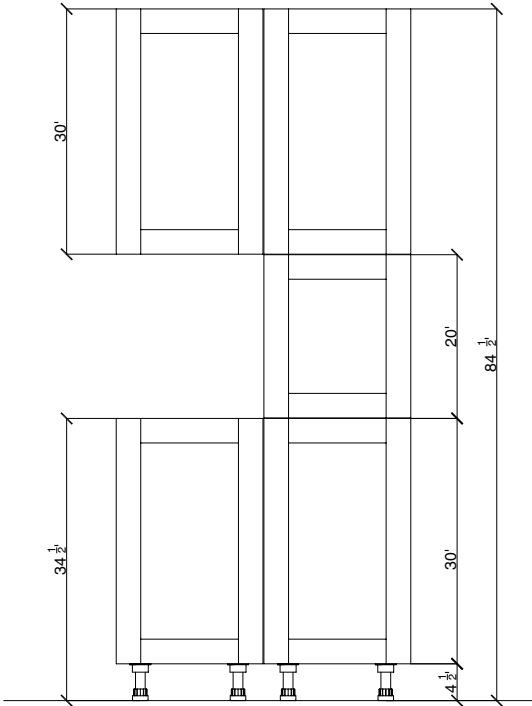
CODE	DESCRIPTION
W1830	Wall cabinet 18" wide and 30" high
WA2435	Wall angle corner cabinet 24" wide and 35" high
B30	Base cabinet, 30" wide and 34 1/2" high
T302484.5	Pantry cabinet, 30" wide, 24" depth and 84 1/2" high

All measurements will be referred to in imperial.

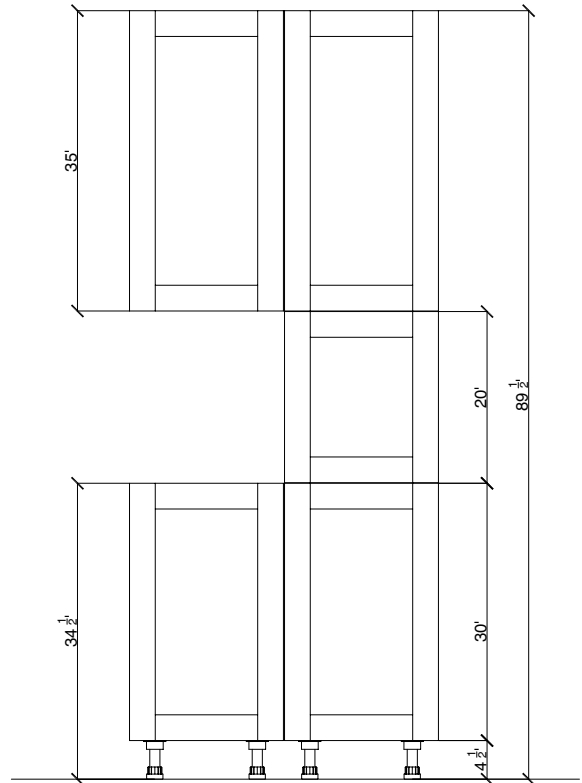
3.1 GETTING STARTED

- Check to make sure the cabinets and accessories that you have received are what you ordered. If anything is not on site, then do not start your project until you have everything required.
- Double-check that you have all the required tools.
- Appliances should be moved to another room for easier maneuvering in the work area.
- Walls should be finished with the first coat of paint applied.
- Final flooring should be installed including the areas that will have cabinets.

84 ½" tall cabinet with 30" wall cabinet



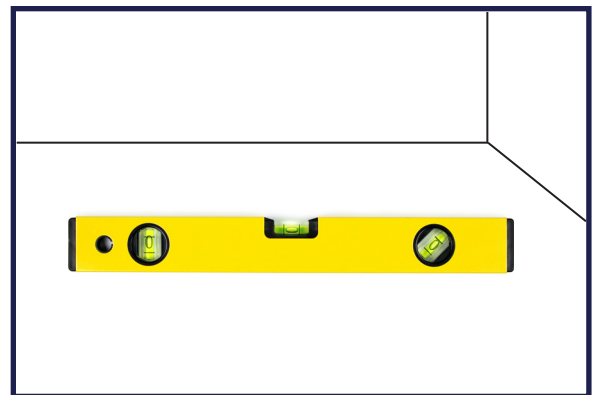
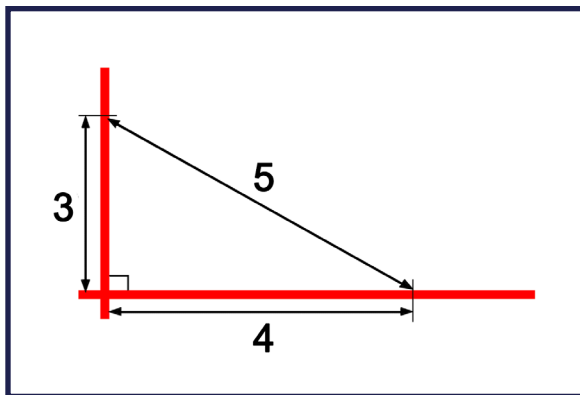
89 ½" tall cabinet with 35" wall cabinet



All dimensions are taken with the finished floor installed

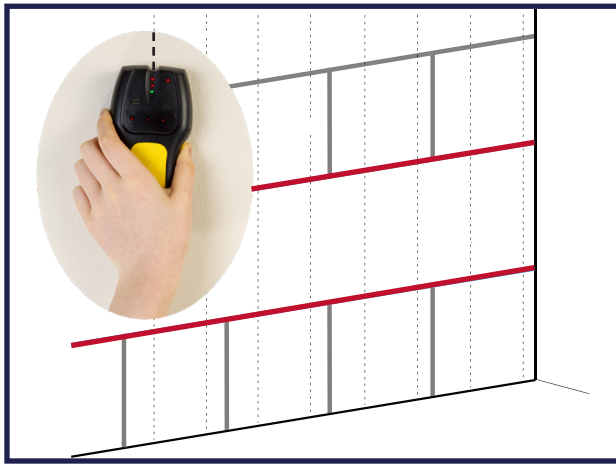
It is common that the finished floors are not perfectly level and for that reason all MagickHome cabinets come with legs that are adjustable, making the installation easy and simple to level.

Follow the next steps for the correct installation of your cabinets.

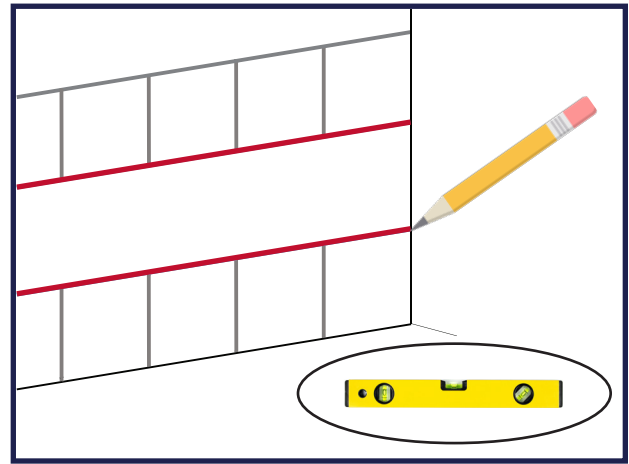


1. Verify that walls are square and level. Walls that are not square or level will make installation more difficult. You can use the 3, 4, 5 method shown to check your corner.

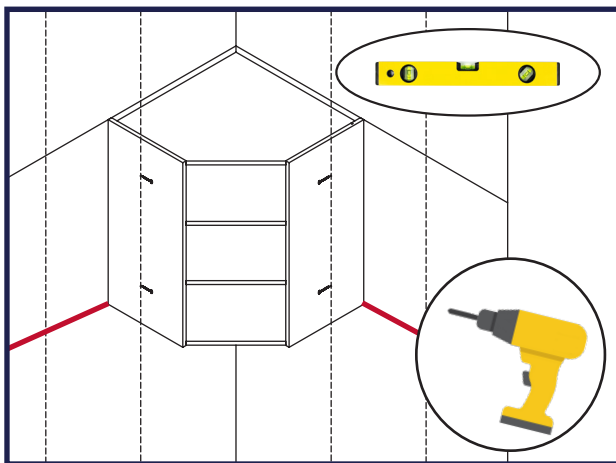
2. Before beginning installation, you must first find the highest point of your floor by checking it with a level.



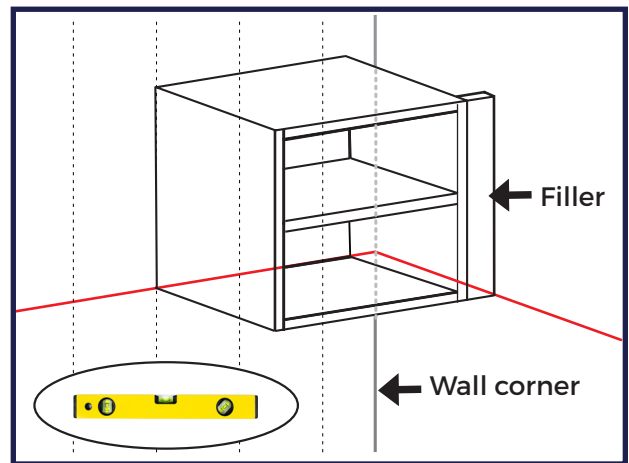
3. Use a stud finder to mark all the studs that will be used to install your cabinets.



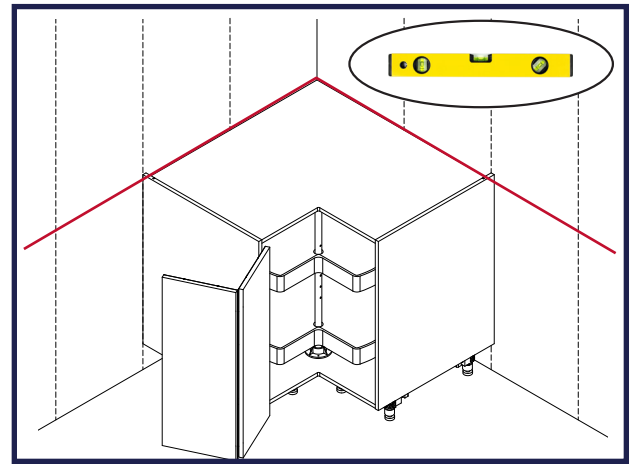
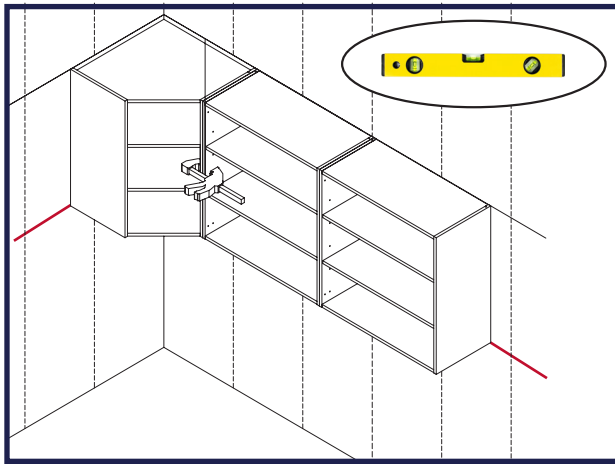
4. Draw a level line at 34 1/2" from the highest point of your floor and another level line at 54 1/2" from the same point. Install the top of the base cabinets level with the 34 1/2" line by using the adjustable legs to level the cabinets. Install the bottom of the wall cabinets level with the 54 1/2" inch line.



5. Starting with the corner wall cabinet, install (x4) 2 1/2" cabinet screws through the fastening strips on the cabinet into the wall studs. Be sure to check for level before fastening the cabinet into place.

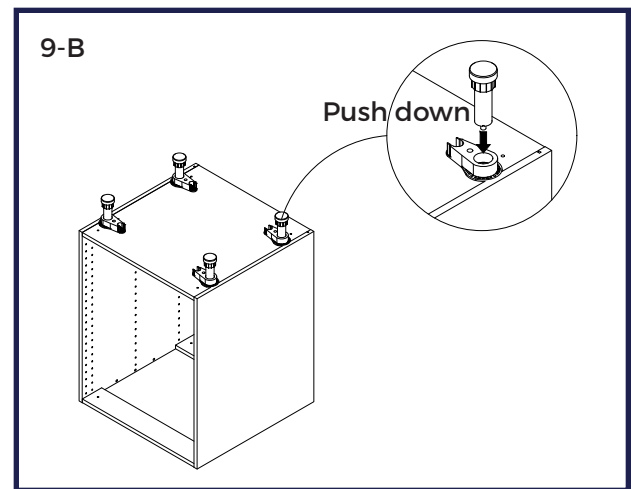
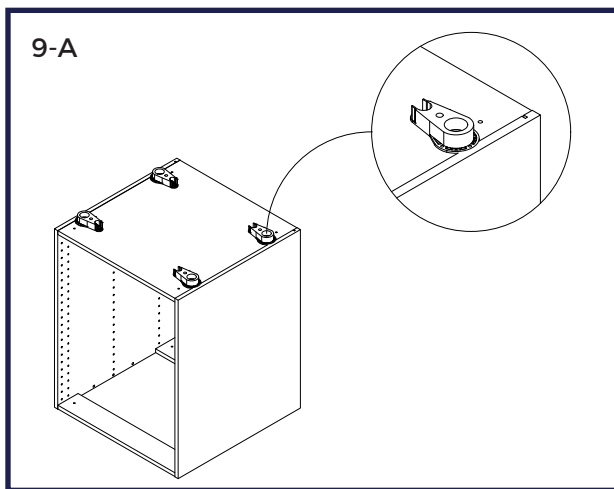


6. If you do not have a corner, start with the end closest to a wall, making sure to leave room for the required filler, as per your plan.

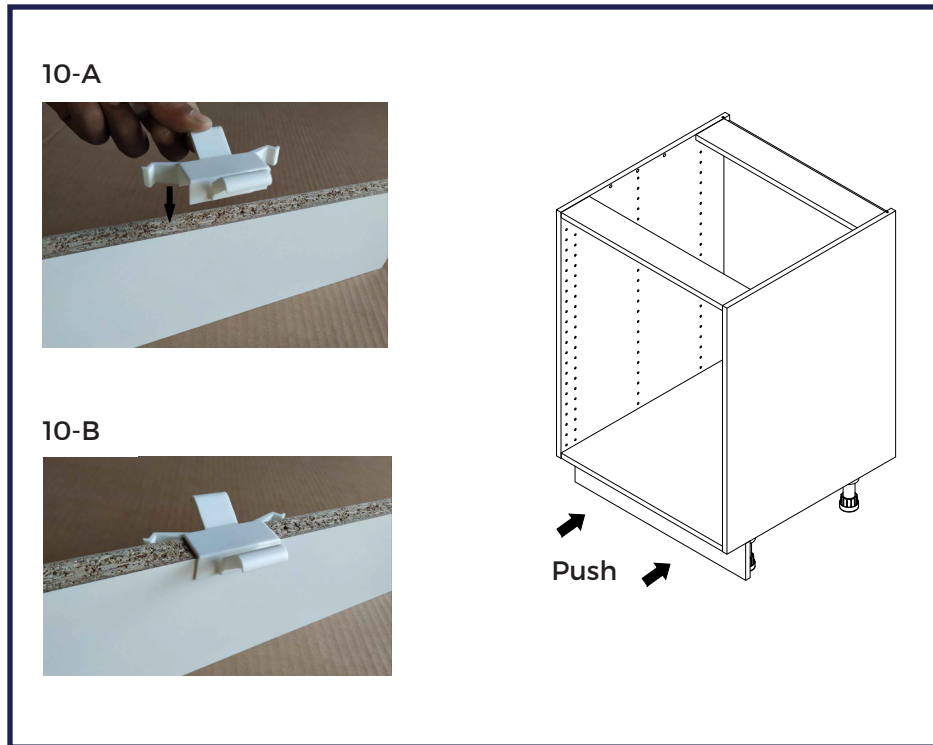


7. Set the next cabinet tight to the first cabinet and use clamps to hold in place while you level it and make sure that the front edges are flush. Attach the two cabinets together using 1 1/8" particle board screws. Attach the cabinet to the wall with 2 1/2" screws into the studs. Continue with the same process for all upper cabinets.

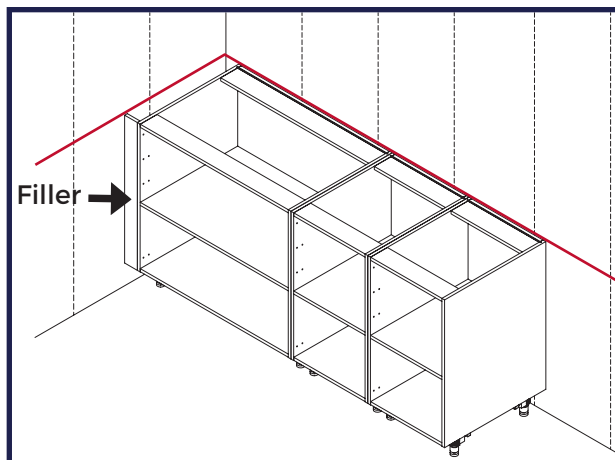
8. Always start with the corner base cabinet making sure it is level. Install 2 1/2" screws through the top fastening strip into the studs that were previously marked.



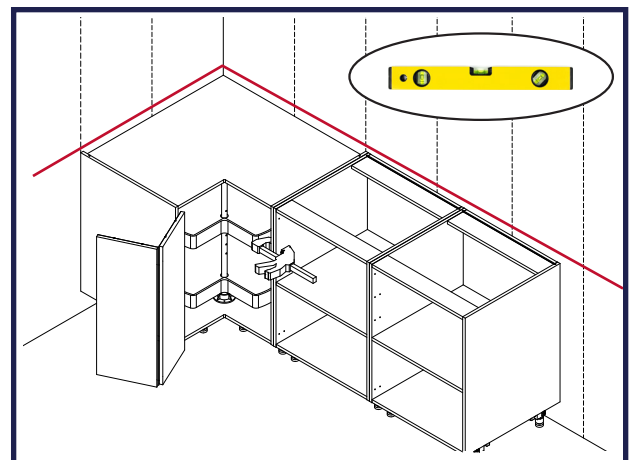
9a/9b. When installing the adjustable legs, start by inserting the leg portion into the factory installed base. Use strong pressure to push the leg into the base, and then adjust to the desired height. This should be 4 1/2" for normal use.



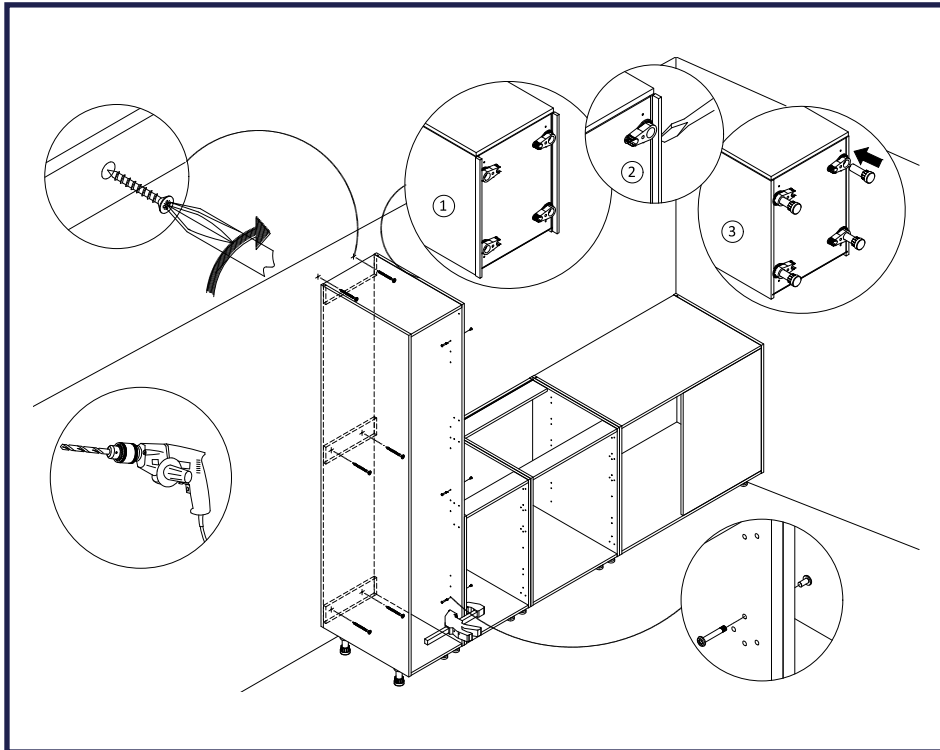
10. To install the toe-kick clips, push the clip onto the top of the toe-kick as shown in step 10-A and step 10-B. To install the toe-kick, insert the top first and then push at the bottom to make a tight fit.



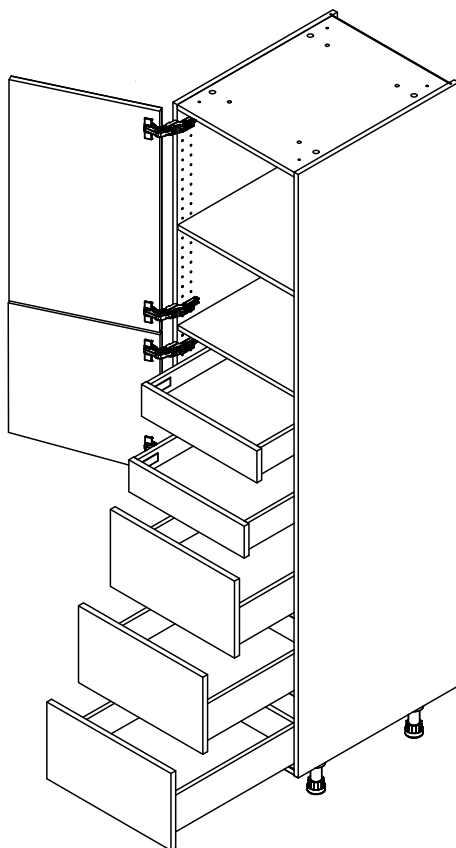
11. For designs without a corner cabinet, start with the first cabinet leaving space for a filler, as per your plan.



12. Set the next cabinet tight to the first cabinet and use clamps to hold it in place while you level it and make sure that the front edges are flush. Attach the two cabinets together using 1 1/8" particle board screws. Attach the cabinet to the wall with 2 1/2" screws into the studs. Continue with the same process for all base cabinets.



13. When installing tall cabinets, make sure they are level and plumb. Attach to studs, using 2 1/2" screws into all studs at the top, middle and bottom, screwing through the hanging rails. If the tall cabinet is against other cabinets, use your clamps to hold it in place and screw the cabinets together using 1 1/8" screws.



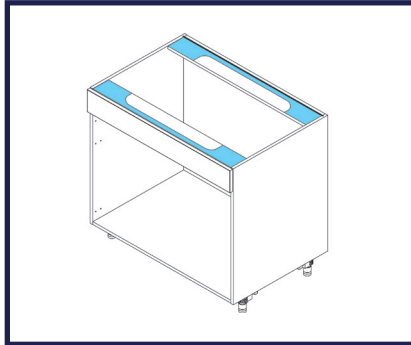
Important for all MagickHome cabinets:

All drawers must not exceed 66 lbs each and MagickHome shelves are rated for 15 lbs per square foot.

For example, a wall cabinet 24" wide by 14" deep has shelves in it that are 22 5/8" wide x 13" deep, or 2.04 square feet, which is rated to hold 30.6 lbs.

For safety and warranty purposes these weight capacities must never be exceeded.

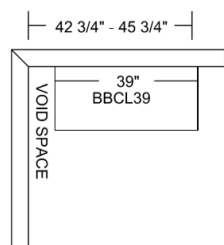
SINK/COOKTOP INSTALLATION



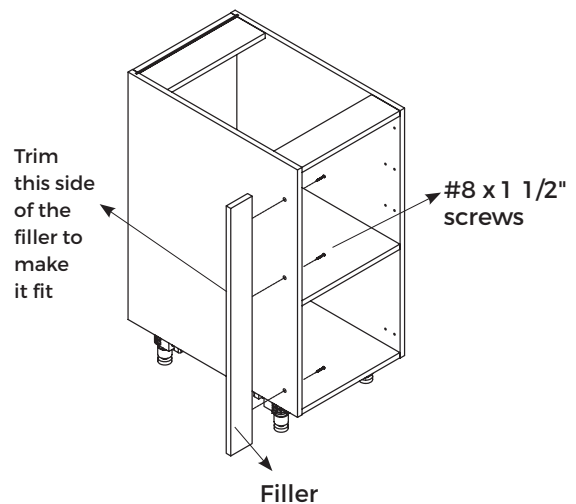
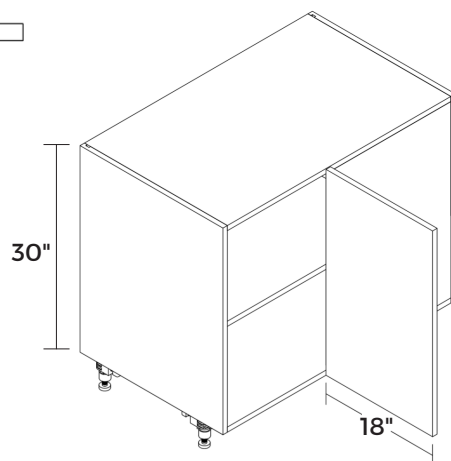
When installing a sink or cooktop, trimming the top support rails may be necessary. Using the template supplied by the sink or cooktop manufacturer, cut the top rails as required using a jigsaw.

BASE & BASE BLIND CORNER CABINETS

BBC (base blind corner) cabinets may be pulled out from the corner if required and the room is available. When installing a base cabinet at a right angle to a BBC cabinet you must use a filler to provide clearance for door and drawer handles. The filler width required is usually 1 3/4" - 3" depending on the type of pull used on the cabinets. Cut the 3" filler to required width. Fasten the filler to the two adjacent cabinets by drilling through the side of the cabinet into the filler. Screw together. Ensure cabinets are square in corner and attach the unit to the wall. Make sure all cabinets are plumb and level. The remaining base cabinets are installed in the same manner. Using the two C-clamps, align stiles, drill and screw together. Proceed around the room making sure all cabinets are plumb and level, shimming where necessary, then tighten all screws.



- Minimum 42 3/4" does not allow for filler/hardware clearance.
- Maximum 45 3/4" is with 3" filler attached to be flush with the door. Filler not included.



Install the remaining base cabinets by aligning the front of the cabinet edges. Clamp the cabinets together and attach using the 1 1/8" screws. Level the cabinet, adjust as required, and attach to the wall studs using 2 1/2" screws through the hanging rail located at the top of the base cabinet. After inserting the screws remove the clamps.

Base Corner Cabinet (BC36LS) - Base corner cabinets are placed squarely in the corner, leveled and adjusted as required. They are held in place by cabinets on either side. Counter-sink screws on BC36LS door handles.

Dishwasher Gables - Measure 24 1/8" over from the cabinet at the front and the back and draw a line on the floor. Draw a plumb line on the wall from the floor to the base cabinet line. These lines mark the position of the inside of the dishwasher gable. Install a ledger board 24 1/8" long below the base cabinet guideline. The panel is then installed by attaching it to the ledger strip, floor and countertop with metal L-brackets.

3.2 FILLERS

A filler is always required against a wall. To cut your filler, measure from the cabinet to the wall and cut the filler accordingly.

Hold the filler in place; turn it over and on the back side make a pencil mark at the top and bottom where it should be cut. To prevent chipping when cutting fillers, place masking tape over the surface that is being cut. Join the two marks with a pencil line and saw along that line. Put the filler in place and drill a pilot hole at hinge-level through the cabinet and into the filler. Attach the filler to the adjacent cabinet by fastening together with wood screws.

3.3 General Install Information

- The front edge of a fridge gable should be flush with front of the cabinet doors.
- Install all cabinets level and plumb.
- Install bumpers on all door and drawer fronts, especially corner cabinets.
- All cutouts for piping should be as close to pipes as possible with a clean cutout edge.

Fridge & Dishwasher Panels/Gables

- Fridge panels are fastened to the upper cabinet from the inside of the cabinet. The panel is to be level and plum with the cabinet. Make sure to add the filler if specified.
- Where applicable, raise panels to allow for installation of hardwood flooring (typically 13/16" above sub-floor). Be aware of its construction: 3/4" hardwood, engineered hardwood, laminate, tile or linoleum flooring have various requirements. The bottom is to be attached to the finished floor with silicone or an L-bracket.

3.4 Appliances

Today's appliances are available in all shapes and sizes. Because of this, you must confirm opening sizes against the spec sheet provided with your paperwork, as well as the manufacturer's specifications.

- Standard dishwasher openings are to be 24" wide (unless otherwise specified).
- Standard fridge opening is 36" wide x 72" high (unless otherwise specified).

- Standard range openings are to be 31 1/4" wide between base cabinets (unless otherwise specified).
- Slide-in ranges – the opening and finished counter height is crucial when dealing with slide-in ranges. Type of flooring and countertop thickness has to be taken into account. Fillers or scribe on each side maybe required to make sure drawers and doors clear the range. If base cabinets are set too low or high the range will not sit flush with the countertop. Countertop top should be 36" unless otherwise noted.

Note: Never attempt to move an appliance on finished flooring. Do not connect or disconnect any appliance that is hard-wired or connected to a water source. Always ask for help before attempting to move an appliance, as appliances are often heavy and there is a high risk of personal injury or property damage if not properly handled.